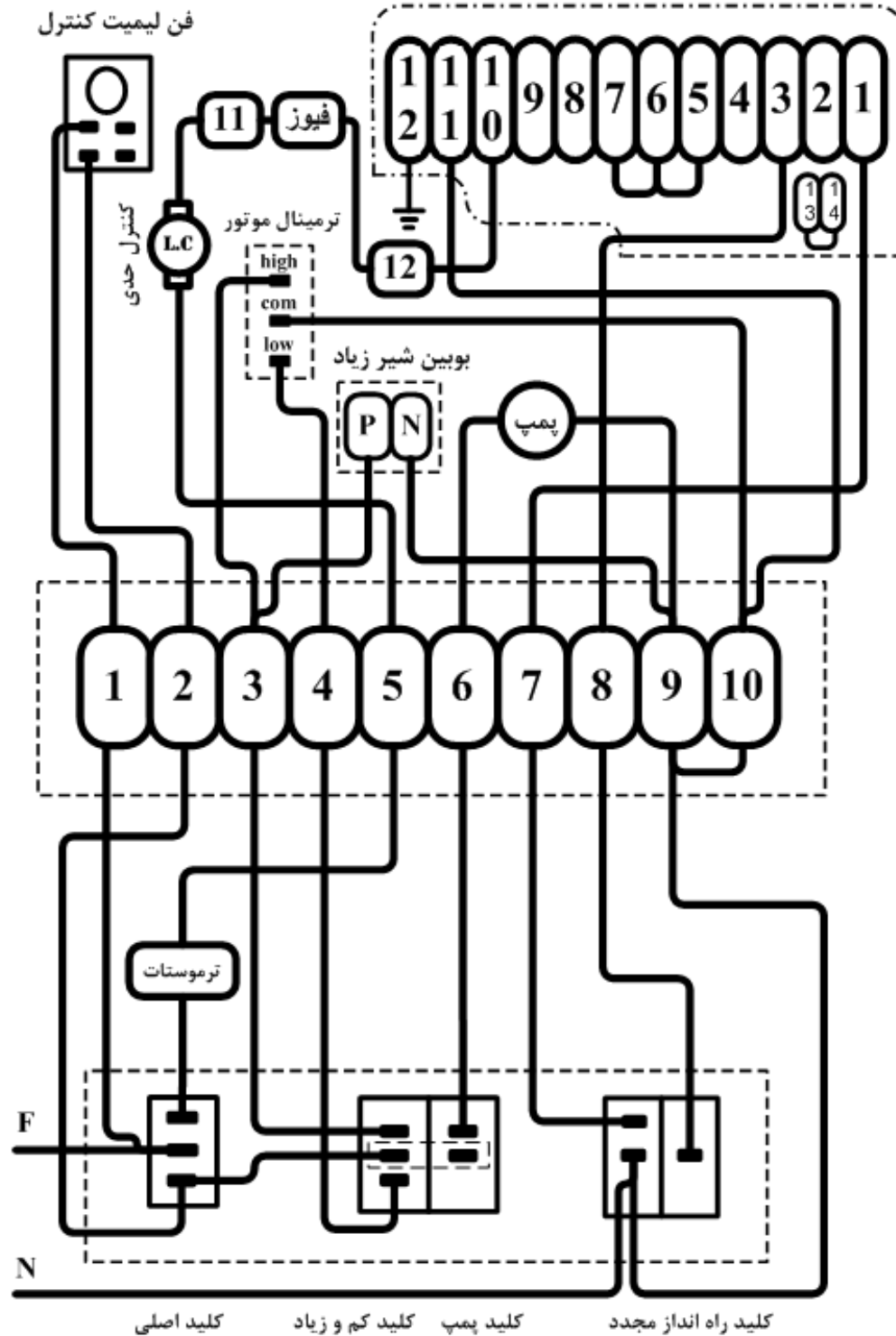


کنترل DBC



		Reference : 52-19/1542		Production(s) Name : GM0680(Sigma)			
		Heading	Name	Date	Sign	Drawing No : EF/5	
		Drawn	Shamsian	92.05.01			
		Checked	Tabasi	92.05.01			
Date	Approved	Revision	Approved	Mirzaei	92.05.01	Sheet A4	Sheet 1 of 1